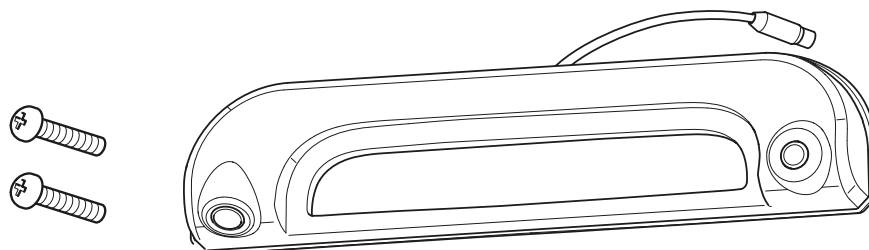


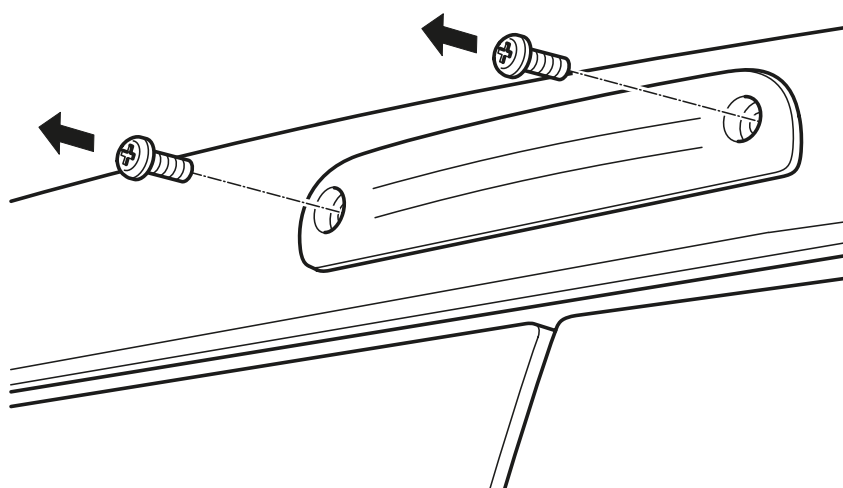
VNA-RCAM-DBJ228HD_{v2}

INSTALLATION

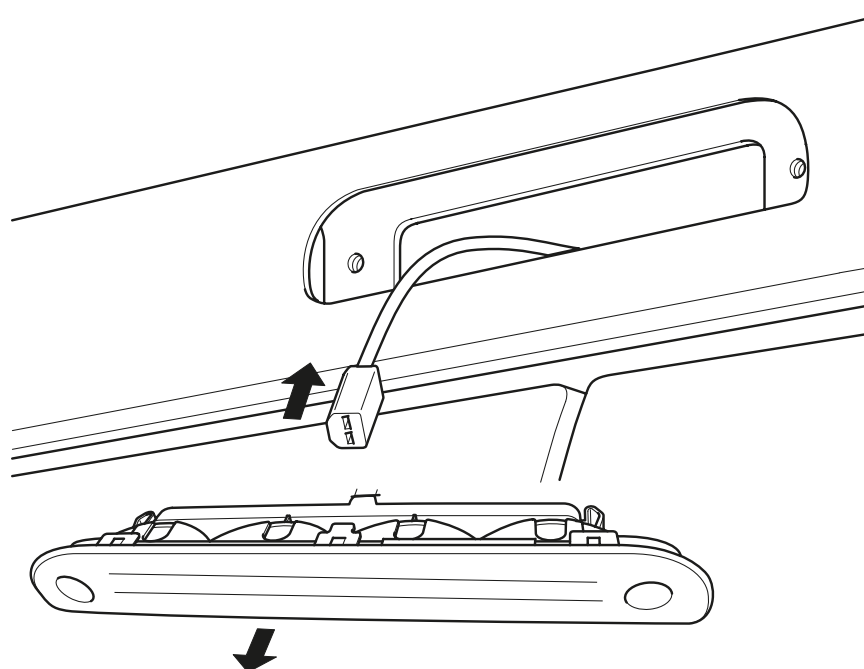
1.



2.



3.

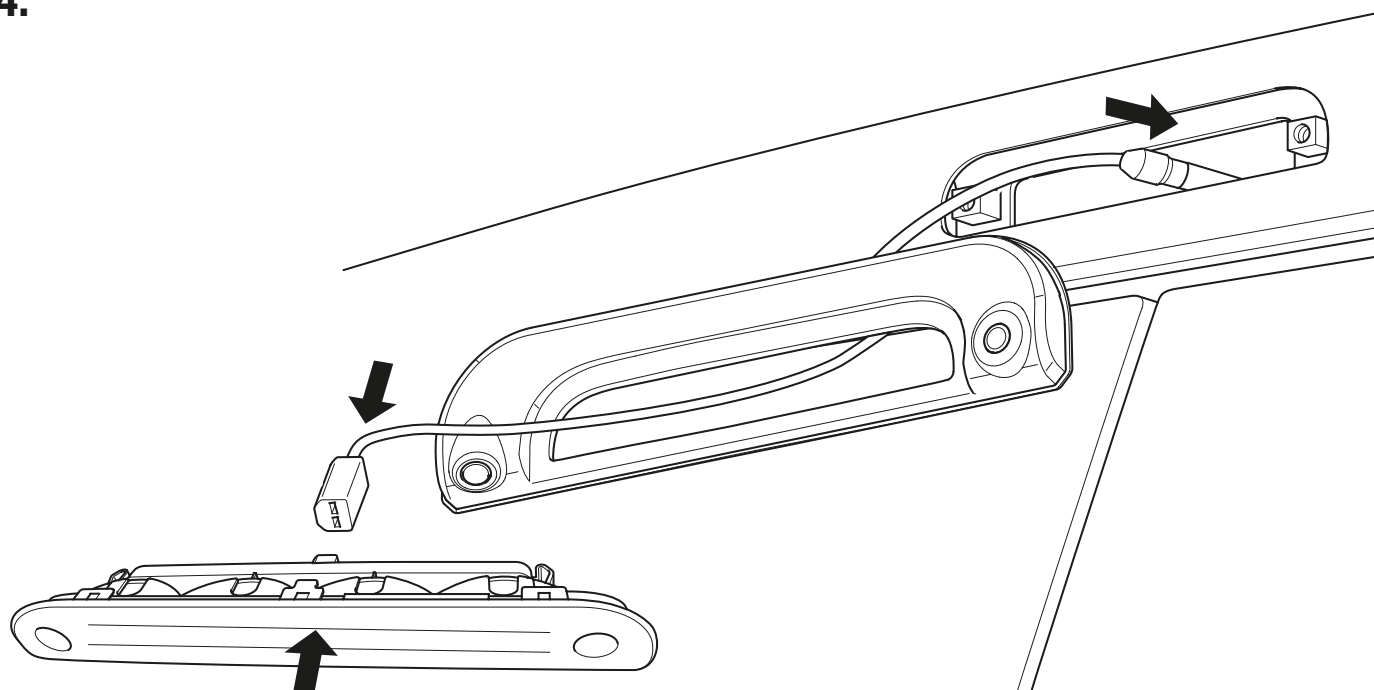


VNA-RCAM-DBJ228HD_{v2}



INSTALLATION

4.



5.

