

RELAX

Guy Bonneville

BLAM

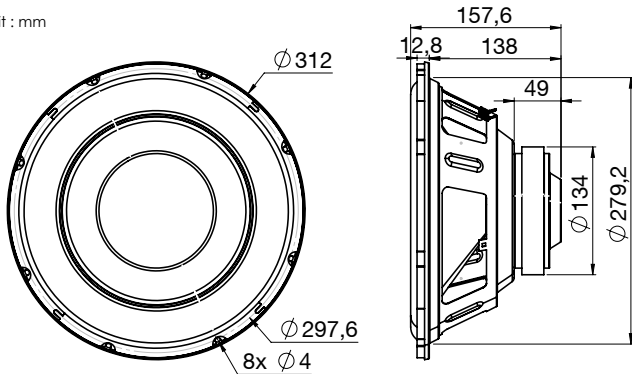
DRIVEN BY PASSION

R12

subwoofer

- 300 mm (12") subwoofer
- Max. power 500 W / Nominal Power 250 W

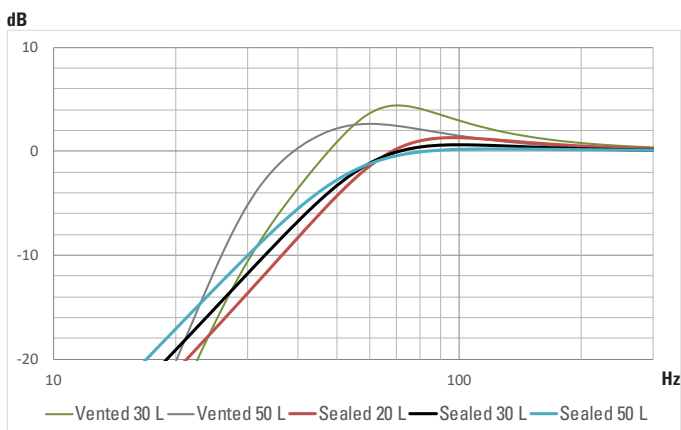
Unit : mm



TECHNICAL SPECIFICATIONS

Component	Subwoofer	
Max power	500 W	
Nominal power	250 W	
Impedance	2 Ω	
Freq. Response	30 Hz - 500 Hz	
Sensitivity (2,83V/1m)	94 dB	
Magnet	Ferrite	
Magnet size Ø x h	134 x 23 mm	5.276" x 0.906"
Total driver displacement	1.6 l	0.057 cf
Weight of one component	3.57 kg	7.871 lb
Voice coil Ø	50 mm	1.969"
Voice coil height	21 mm	0.827"
Cone	Reinforced cellulose fiber cone	

FREQUENCY RESPONSE / IMPEDANCE



THIELE-SMALL PARAMETERS

effective Ø (d)	240 mm	
Sd	452.39 cm ²	
Xmax	7 mm	
Re	2 Ω	
Fs	41.2 Hz	
Le	507.12 µH @ 1 kHz	
Le	1673.64 µH @10 kHz	
Vas	35.70 L	
Mms	120.14 g	
Cms	0,000124 m/N	
BL	9.71 Tm	
Qts	0.60	
Qes	0.66	
Qms	7.08	
Sensitivity (dB/W/m)	87.7 dB	

SEALED

Internal volume Vb	F-3 dB	Boost
20 L	54 Hz	1.3 dB at 92 hz
30 L	51 Hz	0.7 dB at 93 Hz
50 L	49 Hz	0.2 dB at 114 Hz

VENTED

Internal volume Vb	Internal ø port	Length port	F-3dB	Boost
30 L	10 cm	30 cm	41 Hz	4.4 dB at 70 Hz
50 L	10 cm	26 cm	32 Hz	2.7 dB at 60 Hz

contact@blam-audio.fr
www.facebook.com/blamaudio
www.blam-audio.com